

# Energy Control Unit



Be-Tech offers a full range of in-room hospitality accessories, and Energy Control Unit is included, this is the perfect solution to provide convenience to your guests and saving energy and money when guests are not in room.

Compatible with the same Be-Tech room keycard, and intelligent to differentiate different room guest keycards, so as to limit the use of air conditioning and other electrical equipment in the room only to right room number hotel guest.

## BENEFITS:

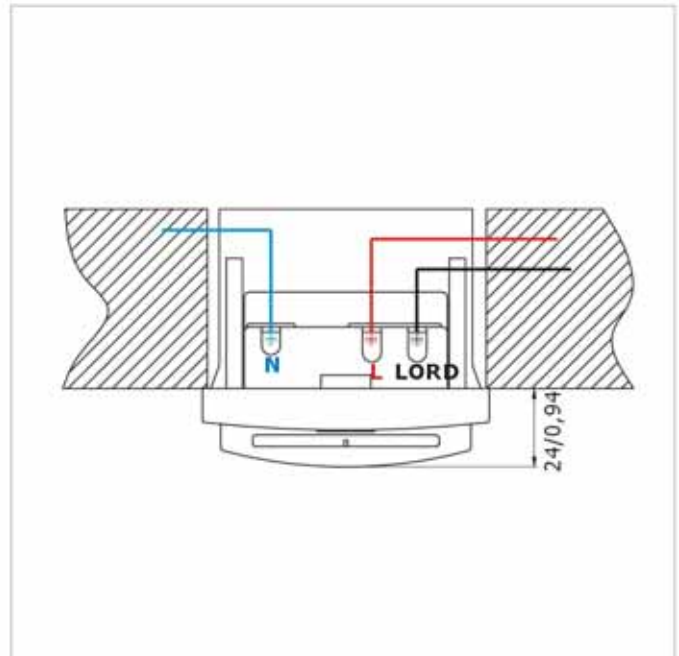
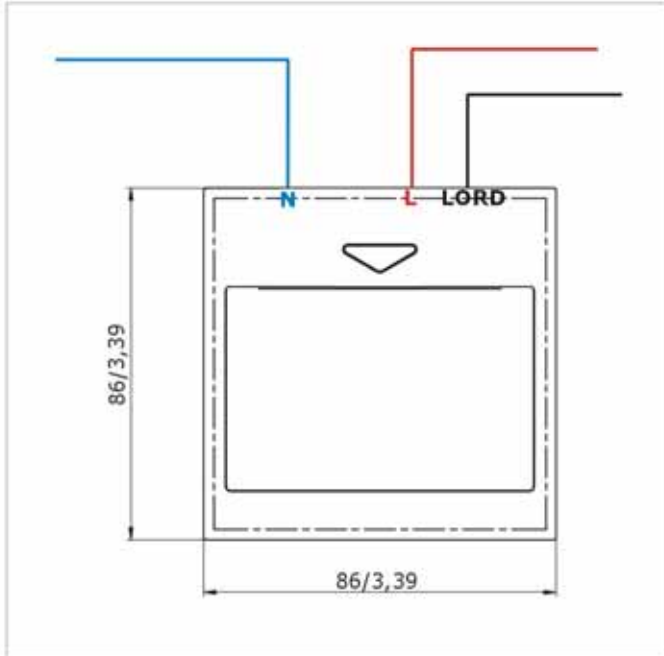
- Disconnect electrical equipment and air conditioning when guests are outside the room to saving energy and money.
- Comfortable timer for guests when removing the keycard from the Energy Control Unit.
- Standard and simple installation.
- Blue color LEDs for easy location when entering the room.
- Own power supply with minimum consumption (30m/Amp in stand-by and 40m/Amp when on)
- Can prevent hotel guests from using certain electrical equipment (Air Conditioning, TV, Phone, etc...) by insert a name card/credit card while not in the room.
- It only works with hotel specific room number keycards (\*)

(\*)only for the Smart RFID Plus



# TECHNICAL DATA

	Standard RFID	Smart RFID	Smart RFID Plus
Description:	Mifare RFID temporized energy saver	Only operates with hotel specific Mifare RFID keycards	Only operates with hotel specific room number Mifare RFID keycards
Guest/Staff keycard:	It prevents hotel guests from using certain electrical equipment (Air Conditioning, TV, Phone, etc...) by insert a name card/credit card while not in the room.	It prevents hotel guests from using certain electrical equipment (Air Conditioning, TV, Phone, etc...) by insert a RFID keycard which is not hotel specified while not in the room.	It prevents hotel guests from using certain electrical equipment(Air Conditioning, TV, Phone, etc...) by insert a RFID keycard which is not hotel specified room number while not in the room.
Voltage:	110V~220V Vac. Tolerance 10%	110V~220V Vac. Tolerance 10%	110V~220V Vac. Tolerance 10%
Consumption:	30m/Amp in stand-by and 40m/Amp when on	30m/Amp in stand-by and 40m/Amp when on	30m/Amp in stand-by and 40m/Amp when on
Frequency:	50-60 Hz	50-60 Hz	50-60 Hz
Output relay:	1 reply with time-delay Resistive max. Load : 16A Inductive max. load : 6A Incandescent max. load : 6A Halogen max. load : 16A	1 reply with time-delay Resistive max. load : 16A Inductive max. load : 6A Incandescent max. load : 6A Halogen max. load : 16A	1 reply with time-delay Resistive max. load : 16A Inductive max. load : 6A Incandescent max. load : 6A Halogen max. load : 16A
Size mm: inch: (H x W X D)	86 x 86 x 54 mm 3,39 x 3,39 x 2,13 inch	86 x 86 x 54 mm 3,39 x 3,39 x 2,13 inch	86 x 86 x 54 mm 3,39 x 3,39 x 2,13 inch
Weight grams: Ponds	165 grams 0,36 lbs	165 grams 0,36 lbs	165 grams 0,36 lbs
Wall Box:	Fireproof material according to norm UL 94 V-0 (Wall box must be ordered in addition if needed)	Fireproof material according to norm UL 94 V-0 (Wall box must be ordered in addition if needed)	Fireproof material according to norm UL 94 V-0 (Wall box must be ordered in addition if needed)



Contact us:

*Smart Your Life*



**Guangdong Be-Tech Security Systems Limited**  
 No.17, KeYuan 3 Road, Ronggui  
 Shunde High-Tech Zone, Foshan,  
 Guangdong 528306, P.R.China  
 Tel:+86 757 28376123 | Fax:+86 757 28308823  
 E-mail:export@be-tech.com.cn | www.be-tech.com.cn

ID:04-BTH4441303-EI-14

Specifications may change without notice.